



Security Tech Germany

VELA.2000

**FEEL SECURE
AT HOME**

REVERSIBLE KEY SYSTEM

FEEL SECURE AT HOME

Vela.2000



PROTECTING YOUR PRIVACY

The innovative Inspect unit inside the cylinder verifies the key's locking authorisation to prevent the door from being accessed with illegal copies. The Inspect system and the multiple paracentric reversible profile also prevent manipulation of the lock cylinder. The security card provides additional protection as it must be presented before additional cylinders and keys can be ordered. So you can feel secure in your own home.

ONE KEY FOR YOUR ENTIRE HOME

Use just one key to open your building door, front door, letterbox, cellar and outbuildings. Lock your front door easily at night with a knob cylinder by simply turning the knob. Choose a cylinder colour that matches your existing door fittings and building concept. You can even set up individual locking authorisations for each user.

MORE CONVENIENT

The innovative shape of the key makes it almost unnoticeable in a pocket. The modern, attractively shaped reversible key conveniently locks all doors. It is made of high-quality material for long-term security.

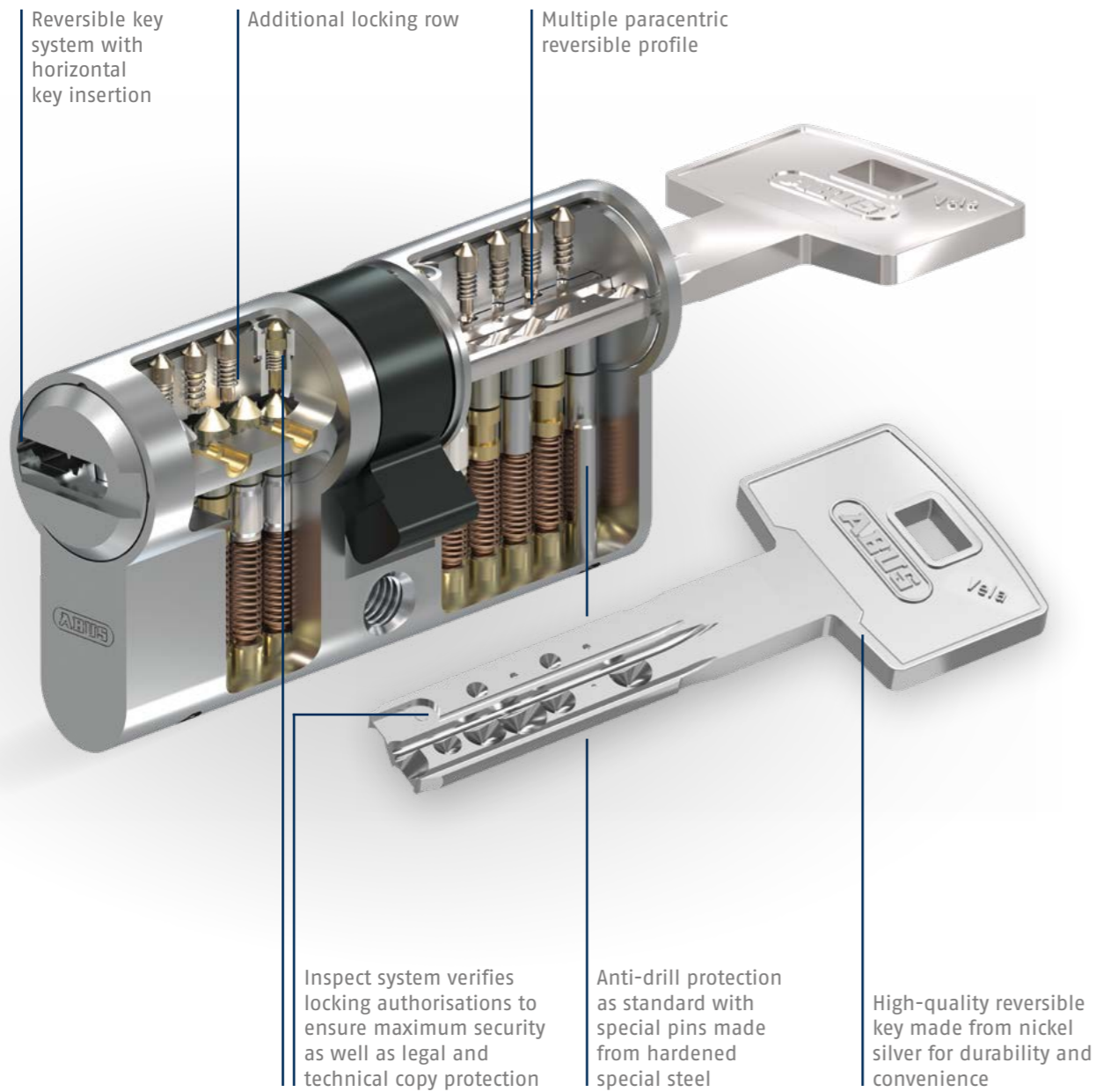
FUTURE-PROOF INVESTMENT

The Vela system can be expanded at any time. We can deliver expansion products for your locking system years after installation. So you can flexibly react to changes.

High-quality raw materials, high-precision manufacturing and our many years of experience mean that you can rest assured in the knowledge that your building is secure. And the fact that the lock cylinders are developed and produced in Germany guarantees premium quality and a long service life.

VELA.2000

In detail



Reversible key system with horizontal key insertion

Additional locking row

Multiple paracentric reversible profile

Inspect system verifies locking authorisations to ensure maximum security as well as legal and technical copy protection

Anti-drill protection as standard with special pins made from hardened special steel

High-quality reversible key made from nickel silver for durability and convenience



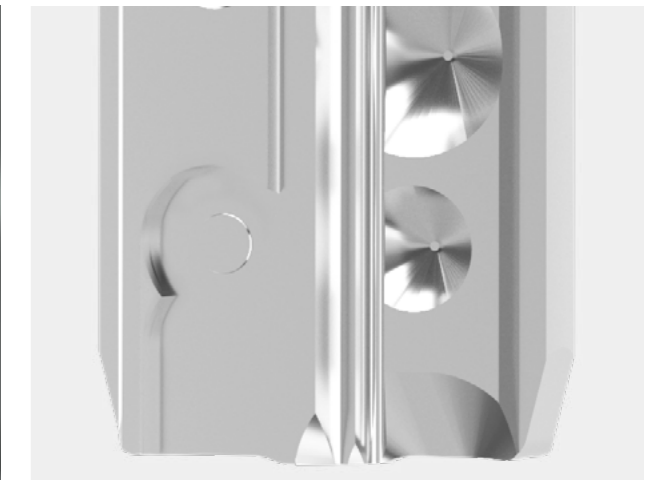
The modern reversible key system with horizontal key insertion offers users maximum convenience



The innovative shape of the key makes it almost unnoticeable in a pocket. The modern key is made from a high-quality material for long-term security.

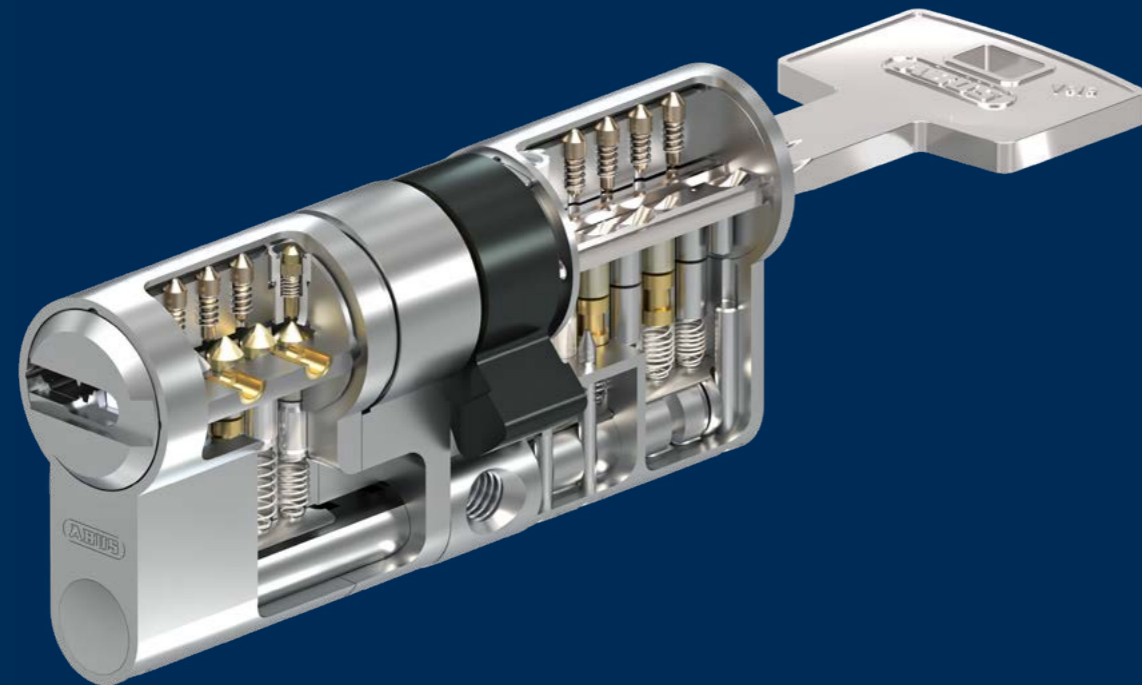


The Vela locking system comes with the patented Inspect system in the cylinder and key. This verifies that the key has the correct authorisation to open the door.



SECURITY, HARD AS STEEL

Vela MX



SECURITY, HARD AS STEEL

The stainless steel elements inside the Vela MX cylinder provide iron clad security as standard. The stainless steel bar is the key component of the system and provides increased protection against breakage and extraction. The high-strength stainless steel anti-drill inlay and the hardened steel elements inside the cylinder offer increased protection against drilling.

MAXIMUM FLEXIBILITY

Moving?
Installing a new door?
Making changes to your organisational structure?
No problem! Modular cylinders allow you to adapt their lengths to suit your new door. So you can flexibly react to changes.



Anti-drill
protection



Anti-shatter
protection



Extraction
protection

MIX AND MATCH

For maximum security and flexibility, choose Vela cylinders with modular MX technology. This allows modular cylinders to be combined with compact cylinders in one master key system.

TECHNICAL DETAILS

Overview

System:	Vela.2000
Key:	Multiple paracentric reversible key made from hard-wearing nickel silver
Key insertion:	Horizontal
Patent protection:	✓
Trademark protection:	✓
Copy protection:	Inspect system
Locking rows:	2
Total locking elements:	10
Modular design:	Optional
Basic length:	30/30 mm and 28/32 mm for Euro profile double cylinders
Length increments:	Extensions available in 5 mm increments
Security card:	✓
Key related security:	Class 6 in accordance with DIN EN 1303, details available on request
Attack resistance:	Class B Class D if special features anti-drill and extraction protection "BZD"
Fire resistance:	Class B, T90
Product certification:	Certified to DIN 18252 and DIN EN 1303 standards Optional, for example SKG***, details available on request
Manufacturer certification:	ISO 9001
Production:	Made in Germany

ABUS | Pfaffenhain
www.abus.com

Fabrikstraße 1
09387 Jahnsdorf
Germany
+49 37296 713-0
vertrieb@abus-pfaffenhain.de

Technical and colour specifications subject to change without prior notice.
We assume no liability for mistakes and printing errors. © 2018

Specialist dealer

