

83/60-5 EPZ without conventional cylinder



Security Tech Germany

Seite 1 von 2



THE ROCK AMONG LOCKS

The Rock 83/60-5 is used where high-value assets need to be secured against access and theft.

The padlock secures warehouses, factory gates and trucks. It is also used in agriculture and on cargo ships. It owes its high resistance to attempts to break it open to the material used in its design: the solid lock body and shackle are made of hardened special steel.

The lock can also optimise key management and access control: you can conveniently integrate it into an existing security system by having your trusted specialist dealer adapt it to existing bittings. This is because the Rock 83/60-5 is designed to accept standard Euro profile half or Scandinavian oval cylinders as well as the ABUS figure-8 cylinder.

For even more flexibility, you can also choose between two options: should the shackle be fixed in the lock or fully removable? A removable shackle is ideal if you want to secure hard-to-reach areas and do not have much room to manoeuvre. This is because after you have opened the lock, you can simply pull the shackle upwards. The high-security lock achieves security class 5 of 6 according to the European padlock standard EN12320.

Do you want security for your goods? Then choose the rock among locks.

Technologies

- Lock body and shackle made of hardened special steel
- Hardened special steel shackle with NANO PROTECT™ coating for very high corrosion protection
- Double bolted locking mechanism increases the security of the lock

83/60-5 EPZ without conventional cylinder



Security Tech Germany

Seite 2 von 2

- Key retaining: locking only with key (when open, the key cannot be removed)
- Rekeyable: the cylinder can be exchanged and thus also adapted to existing bittings
- Cylinder protection cap against moisture and dust optionally available
- Optionally available with fully removable shackle
- SSF014 Class 4 / EN12320 Class 5
- Version "0": Accepts standard oval cylinders
- "EPZ" version: accepts standard Euro profile half cylinders
- "Figure 8" version: accepts all cylinders from the ABUS 83 series

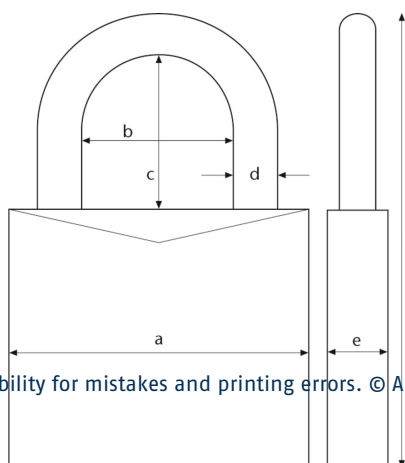
Operation and use

- Protection of items with a higher value and with a high risk of theft
- Suitable, among other things, for securing industrial or company gates, warehouses, trailers, containers and garages
- Flexible: can be adapted to different requirements in a short time thanks to its interchangeable cylinder
- Can be combined keyed alike with various ABUS door cylinders

Technical data - 83/60-5 EPZ without conventional cylinder

Depth e	28 mm
Height f	123 mm
Horizontal clearance b	27,5 mm
Keyed alike	No
Locking type	key
Security Level Home Security	10
Shackle diameter d	12 mm
Vertical clearance c	38 mm
Weight	780 g
Width a	60 mm
colour	chrome plated
EAN	4003318944918

Technical drawing



Subject to technical modifications. We assume no liability for mistakes and printing errors. © ABUS 12/2024